

ANKARA YILDIRIM BEYAZIT UNIVERSITY
CENG205- Electrical Circuit and Electronic Devices

Homework 1

1. (50p) The op-amps in the circuit in Fig. 1 are ideal.
 - a. (10p) Find i_a
 - b. (10p) Find the value of left source voltage which $i_a = 0$.
 - c. (30p) Simulate the circuit in Fig.1 and compare with your result.

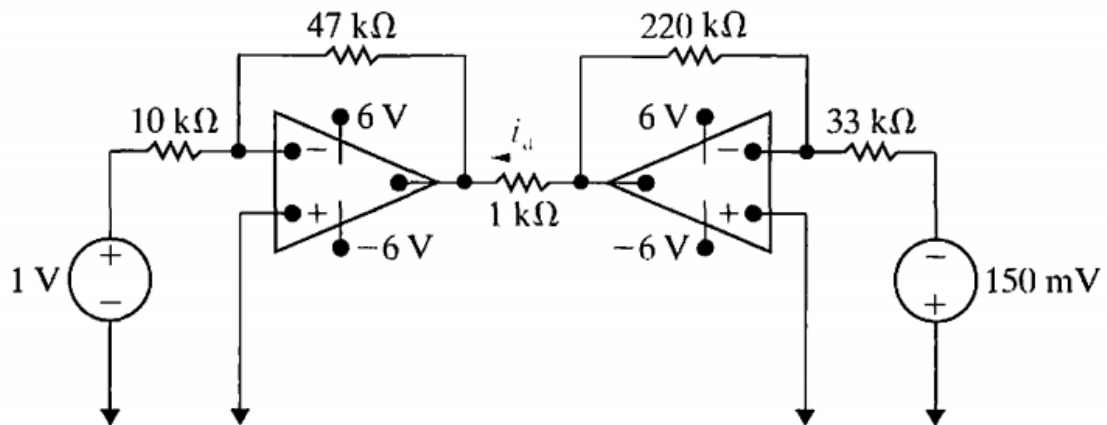


Figure 1 Operational Amplifiers

2. (50p) For the circuit in Fig.2 when $R=3$
 - a. (20p) Find the voltages and currents for each branch for the following circuit.
 - b. (30p) Simulate the circuit and compare the results.

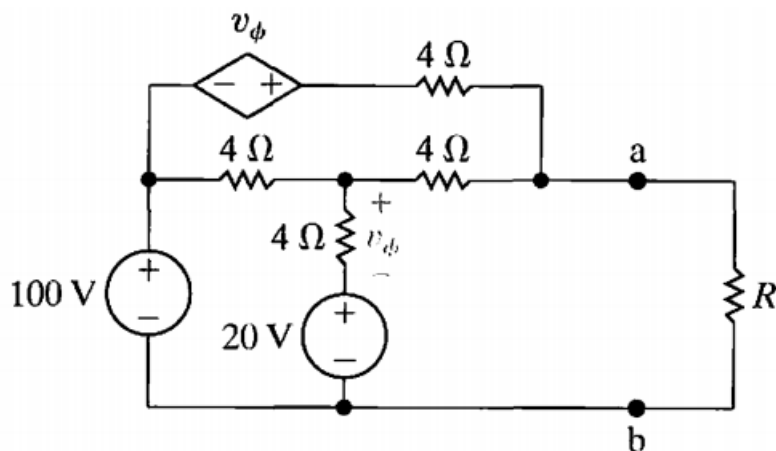


Figure 2 Circuit for Q2

Dead-line: December 14, 2016 at 23:59

Late submissions will be graded as -50 point for each day. Please do not copy the homework from any of your friend. Such plagiarism tendency will be punished as -50 from this homework. You need to send 2 file:

- 1. The file for your analysis with your hand**
- 2. The files for simulation with PSPICE, or PROTEUS(Preferred) program.**

Submission address: ybucengsubmission@gmail.com. File name should be convenient with the format given ID_NAMESURNAME.zip.

GOOD LUCK!